



**Hygienepus+**  
Anti-Bacteria Range

**ASSA ABLOY**

Experience a safer  
and more open world



# Scientific evidence



80% of all infectious diseases (HAIs - Healthcare - associated infections) are transmitted through physical contact.

Every year, in the US and Europe alone, almost 6,000,000 people are treated for infections acquired in healthcare centres.

Up to 12% of patients who go to hospitals in developed countries acquire some type of infection.

In addition to causing death, infectious diseases (HAIs) can extend a patient's stay in hospital by up to five times.

*HAIs (Healthcare associated infections) are infections people get while they are receiving health care for another condition. HAIs can happen in any health care facility, including hospitals, ambulatory surgical centers, end-stage renal disease facilities, and long-term care facilities. 80% of all infectious diseases are transmitted through physical contact.*

# A threat in hospital environments that has a solution



The microorganisms around us pose a threat in hospitals and in healthcare environments for children, the elderly, etc. They are responsible for more than 4,000,000 nosocomial infections in Europe, an alarming figure that needs to be reduced for the sake of public health.

ASSA ABLOY offers a wide range of lever handles and pull handles specially designed for these environment. These application or better known as Hygieneplus+ suitable for wide range of facilities. They are ideal to use at :

- Private Hospital
- Specialist Centres
- Wellness Assessment Centres
- Care Centres
- Semi-Government Hospital
- Nursing Homes
- Commercial Health Centres
- Health Screening Centres
- Clinics
- General Hospital
- Government Hospital
- Retirement Homes

*ASSA ABLOY Hygieneplus+ handles contain powerful bactericide that proves to be effective against 2 most dangerous micro-bacteria, Staphylococcus Aureus and Escherichia Coli.*

# Benefit of ASSA ABLOY Hygienepus+



## Lasting protection against microbes

ASSA ABLOY Hygienepus+ with antibacteria agents have been scientifically proven to provide adequate and long-lasting protection against bacteria. Thus, minimizes terrible odors, staining and degradation of material on surfaces where they are applied to. With ASSA ABLOY Hygienepus+ coating on the surface, bacteria will not get a chance to grow and survive.

## Longer Lifespan

ASSA ABLOY Hygienepus+ coatings also further reduces potential discoloration, leech or any effect the appearance of the surface. The coating itself usually lasts longer than expected and further eliminate stench and lumps that are normally found on other products.

## Cost-Effective

The maintenance costs associated with replacement and cleaning of unsanitary items could be significantly reduced with the ASSA ABLOY Hygienepus+ products by ensuring adequate and long lasting protection.

## Improved Cleanliness and Health

Scientific data has proven that there is a continuous trend of germs and bacteria spreading in densely populated areas. Hospital offices and nurse stations are active spots for germs as these places are characterized with substantial human interactions every day. The ASSA ABLOY Hygienepus+ coating allow for increase sanitation cleanliness on a considerable scale by reducing the presence of germs and bacteria in the air as well as high-volume touch points such as railings, light switches and door levers.

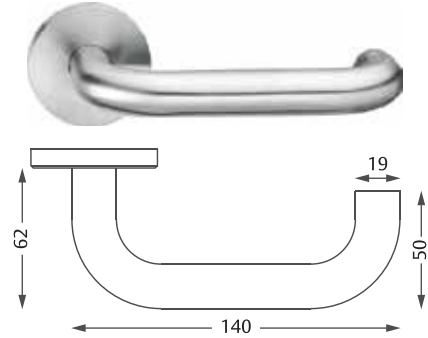
# Lever Handle

**Model no.:** AALP-010

**Description:** Lever Handle with Hygieneplus+ Coating

**Dimensions:** Length : 140mm  
Spindle : 8mm x 8mm Straight Standard Spindle  
Rose : Round rose Ø53mm x 8mm

**Finish:** Satin Stainless Steel with Hygieneplus+ coating

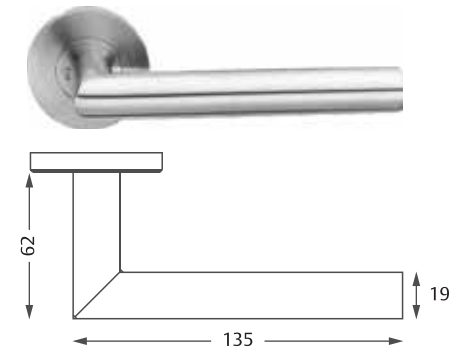


**Model no.:** AALP-020

**Description:** Lever Handle with Hygieneplus+ Coating

**Dimensions:** Length : 135mm  
Spindle : 8mm x 8mm Straight Standard Spindle  
Rose : Round rose Ø53mm x 8mm

**Finish:** Satin Stainless Steel with Hygieneplus+ coating

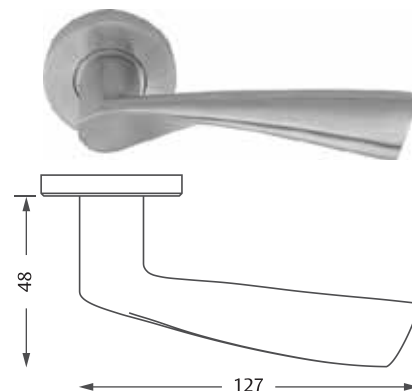


**Model no.:** AALP-030

**Description:** Lever Handle with Hygieneplus+ Coating

**Dimensions:** Length : 135mm  
Spindle : 8mm x 8mm Straight Standard Spindle  
Rose : Round rose Ø53mm x 8mm

**Finish:** Satin Stainless Steel with Hygieneplus+ coating





The ASSA ABLOY Group is the global leader in access solutions. Every day, we help billions of people experience a more open world.

ASSA ABLOY Opening Solutions leads the development within door openings and products for access solutions in homes, businesses and institutions. Our offering includes doors, door and window hardware, mechanical and smart locks, access control and service.

**ASSA ABLOY**  
Opening Solutions

**ASSA ABLOY Opening Solutions  
Malaysia Sdn Bhd**  
Level 1, East Wing, Wisma Consplant 1  
No 2, Jalan SS16/4  
47500 Subang Jaya  
Selangor, Malaysia  
**Tel:** +60 3 5651 7800  
**Fax:** +60 3 5613 3889  
assaabloyopeningsolutions.com.my  
info@assaabloy.com.my

**PT ASSA ABLOY Indonesia**  
Unit 316, 3rd Floor, Marga Guna Grand  
Jl Marga Guna Raya  
No 9, Pondok Indah  
Jakarta, 12420 Indonesia  
**Tel:** +62 21 720 6884  
**Fax:** +62 21 720 6874  
assaabloyopeningsolutions.id  
info.id@assaabloy.com

**ASSA ABLOY Philippines**  
Unit 3309  
Robinsons Equitable Tower  
#4 ADB Avenue  
cor P. Poveda Street  
Ortigas Center, Pasig City  
1600 Manila, Philippines  
**Tel:** +63 2 656 4376  
info.ph@assaabloy.com

**ASSA ABLOY Singapore Pte Ltd**  
#08-08 Siemens Center Blk 1  
60 MacPherson Road  
348615 Singapore  
**Tel:** +65 6880 0000  
**Fax:** +65 6880 0500  
assaabloyopeningsolutions.com.sg  
sales@assaabloy.com.sg

**ASSA ABLOY Vietnam**  
20th floor, 2 Bis - 4 - 6,  
Le Thanh Ton St  
Ben Nghe Ward, Dist 1,  
Ho Chi Minh City  
**Tel:** +84 28 2249 8833  
assaabloyopeningsolutions.com.vn  
info.vn@assaabloy.com

**ASSA ABLOY (Thailand) Ltd**  
1919, 5th Floor  
Preecha Group Building  
Pattanakarn Road, Suanluang  
Bangkok, 10250 Thailand  
**Tel:** +66 2 722 7371  
**Fax:** +66 2 722 7375  
assaabloy.co.th  
info.th.opening@assaabloy.com

**ASSA ABLOY Hong Kong Ltd**  
Suite 1901, 19/F, Tower 3  
China Hong Kong City  
33 Canton Road, Tsim Sha Tsui,  
Kowloon, Hong Kong  
**Tel:** +852 2260 0888  
**Fax:** +852 2686 8682  
assaabloyopeningsolutions.com.hk  
sales.hk@assaabloy.com

**ASSA ABLOY Taiwan**  
2F, No 217 Section 3, Chengde Road  
Datong District, Taipei City 103  
Taiwan (R.O.C)  
**Tel:** +886 2 2586 0161  
**Fax:** +886 2 2586 0171  
sales.tw@assaabloy.com

**Legal Disclaimer:**

While every effort has been made to ensure that the information contained in this brochure is accurate at the time of its publication, yet ASSA ABLOY reserves its right to make changes in its products without prior notice. ASSA ABLOY will not be liable for any loss, injury or damage arising out of use of its products. The brochure does not constitute offer for sale of its products. ASSA ABLOY advises the use of its products for installation only by trained technicians.